



SOLID
TO SUCCEED

TELESCOPIC BOOM LIFT

XGS20K



The print does not belong to the contract, nor a part of the vehicle purchase contract. We reserve the right to revise the product model, parameters, configuration based on the continuous improvement requirements of the product, without prior notice. Pictures are for reference only, and the specific product shall depend on the real product.

XGS20K

Telescopic boom lift

FEATURES

MEASUREMENTS

20.5m working height
Up to 300kg lift capacity

PRODUCTIVITY

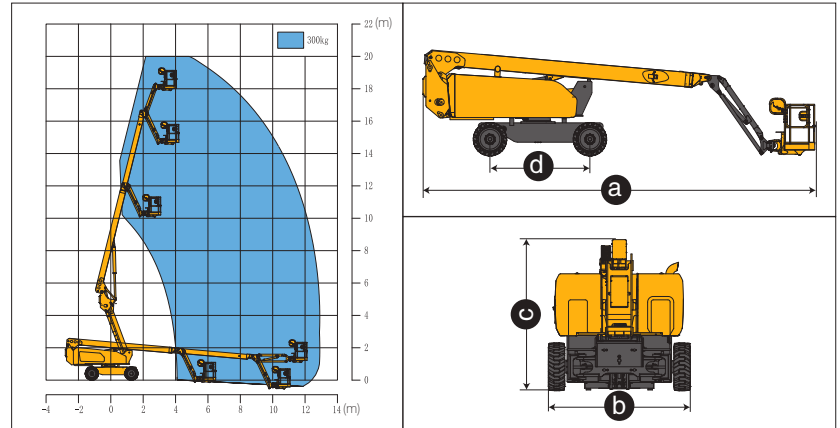
1.83m × 0.76m working platform
4 driving wheels
2 steering wheels
4 wheel brake system
45% theoretical gradeability
360° continuous turntable rotation
160° platform rotation
Lift and lower alarm
Drive alarm
Tilt alarm
Enable switch
Overload alarm
Hourmeter recorder
Solid rubber tires
Axle balance system
Hydraulic oil cooler
Proportional joystick control
Platform automatic leveling system
Initiative anti-extrusion system

POWER

Engine protection devices
Kubota Euro stage V emission
12V DC emergency power

OPTIONS

Tool tray
Platform working light
Foam-filled rough terrain tires



Item	Unit	XGS20K
Working height	m	20.5
Platform height	m	18.5
Working radius	m	13.2
Lift capacity	kg	300
Occupant capacity	-	2
Boom luffing range	°	-5~+76
Fly jib luffing range	°	-65~+70
Turntable rotation	°	360
Platform rotation	°	160
Drive speed (retracted/extended)	km/h	4.8/0.6
Turning radius (inside/outside)	m	3.1/5
Tailswing	mm	1630
Ground clearance	mm	300
Gradeability	%	45
Tires	-	835×295
Power source	-	Kubota V2403
Rated power	kW/(r/min)	36.8/(2700)
Fuel tank	L	90
Hydraulic tank	L	120
Weight	kg	8500
Platform size	mm	1830×760
a Length (transportation)	mm	9800/7400
b Width	mm	2490
c Height	mm	2640
d Wheelbase	mm	2500