



SOLID  
TO SUCCEED

TELESCOPIC BOOM LIFT

XGS28ACK



The print does not belong to the contract, nor a part of the vehicle purchase contract. We reserve the right to revise the product model, parameters, configuration based on the continuous improvement requirements of the product, without prior notice. Pictures are for reference only, and the specific product shall depend on the real product.

# XGS28ACK

Telescopic boom lift

## FEATURES

### MEASUREMENTS

28.8m working height  
Up to 300/460kg lift capacity

### PRODUCTIVITY

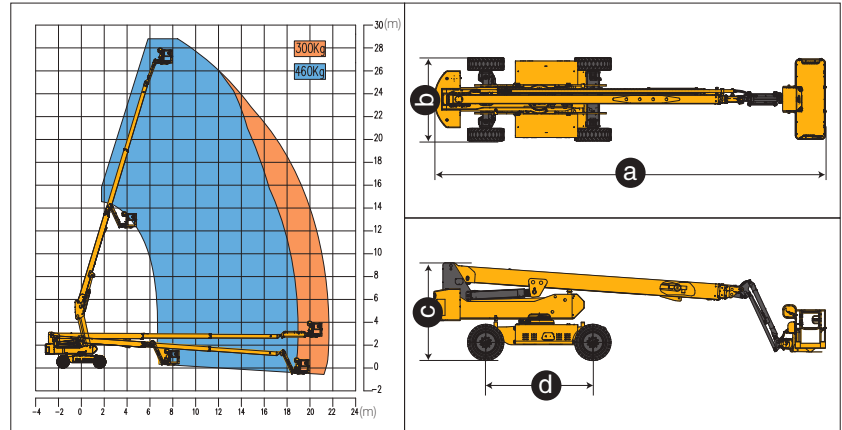
4 wheel drive  
Axle balance system  
Lowering and moving alarm  
Horn  
Platform and chassis emergency stop  
Emergency power unit  
Axle balance pressure detection system  
4 wheel brake system  
Automatic leveling of platform  
Proportional handle control  
Proportional joystick control  
360° continuous turntable rotation  
160° platform rotation  
Enable switch  
Workhour recorder  
Initiative anti-extrusion system

### POWER

608Ah/76.8V Lithium battery  
12V DC proportional control

## OPTIONS

Tool tray  
Platform working light  
Platform anti-collision device



Item	Unit	XGS28ACK
Working height	m	28.8
Platform height	m	26.8
Working radius	m	22
Lift capacity	kg	300/460
Occupant capacity	-	3
Boom luffing range	°	-4~+73
Fly jib luffing range	°	-65~+70
Turntable rotation	°	360
Platform rotation	°	160
Drive speed (retracted/extended)	km/h	6/0.6
Turning radius (inside/outside)	m	3.5/6.5
Tailswing	mm	1890
Ground clearance	mm	320
Gradeability	%	45
Tires	-	385/45-28
Battery	V/Ah	76.8/608 Lithium
Charger	V/A	80/80 Lithium
Hydraulic tank	L	140
Weight	kg	16600
Platform size	mm	2400x900
a Length (transportation)	mm	11690/11455
b Width	mm	2490
c Height	mm	2925
d Wheelbase	mm	3200

SOLID TO SUCCEED