

**NEWS  
2022**



## TRACKED PALLET JACK WITH EXTENDABLE PANTOGRAPH FORKS

CAPACITY 1800 KG  
MAXIMUM LOADING/UNLOADING HEIGHT  
(AT FORKS) 1.798 MM

### DIESEL ENGINE

Brand and model.....Kubota D902-E3B stage V  
Emission regulation.....EPA 4 Tier  
Type.....Vertical 4-cycle Liquid cooled Diesel  
Pistons and displacement.....3 / 898 cm<sup>3</sup>  
Max gross power.....21,6 HP (16,1 KW) / 3200rpm  
Starting.....electric  
Fuel tank.....20 liters

### DISTRIBUTOR

Type.....hydraulic

### HYDRAULIC PUMPS

Number and type.....1 gear pump

### TRACKS

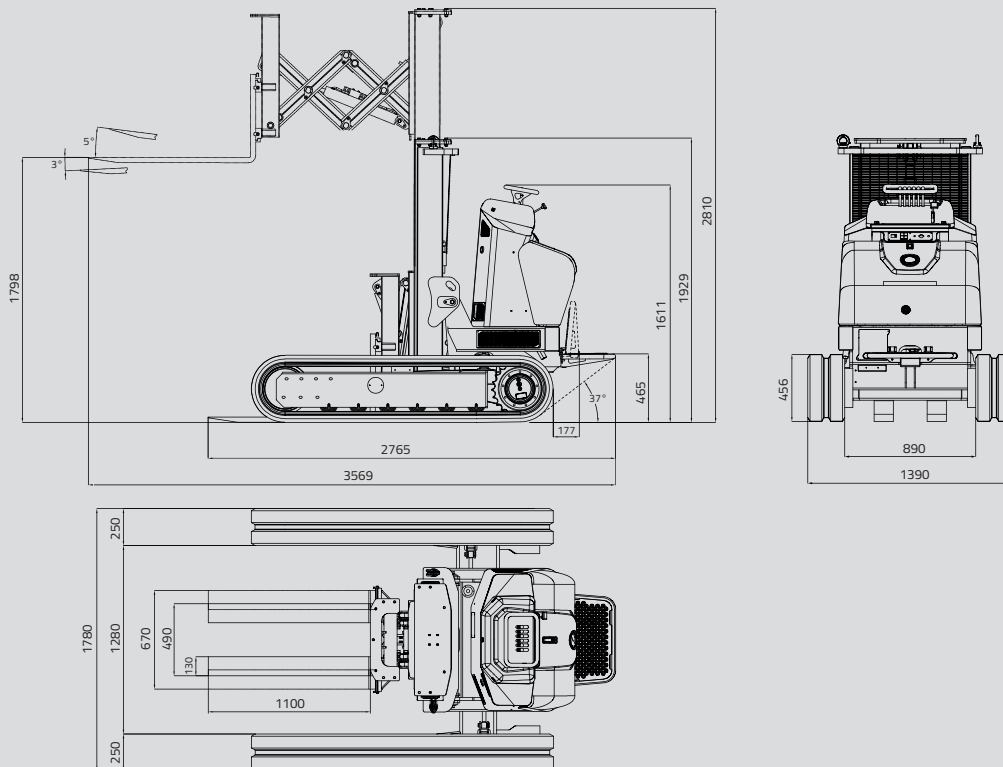
Track tensioner.....grease  
Track width.....250 mm  
Roller for side.....6  
Hydraulic extension.....1390–1780 mm

### PERFORMANCE

Translation speed.....2,4 - 3,8 km/h  
Ground pressure.....0,58 kg/cm<sup>2</sup>  
Max gradeability.....20° (36,4%)  
.....3° with open pantograph

### OPERATING WEIGHT

(without operator).....2350 kg



Hinowa is continually researching and developing products and reserves the right to make modifications without prior notice. All data in this document is indicative. Certain options or country standards will increase weight. Specifications may change to meet country standards or with the addition of optional equipment.