



SOLID
TO SUCCEED

TELESCOPIC BOOM LIFT

XGS40E



The print does not belong to the contract, nor a part of the vehicle purchase contract. We reserve the right to revise the product model, parameters, configuration based on the continuous improvement requirements of the product, without prior notice. Pictures are for reference only, and the specific product shall depend on the real product.

XGS40E

Telescopic boom lift

FEATURES

MEASUREMENTS

40.2m working height
Up to 300/460kg lift capacity

PRODUCTIVITY

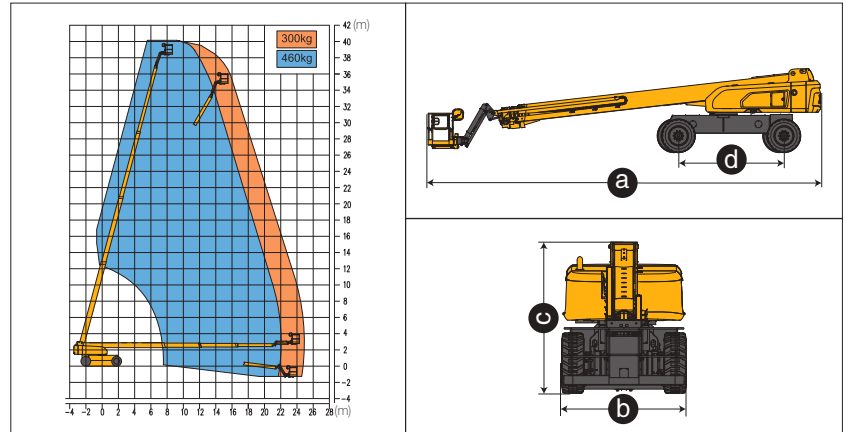
2.4m × 0.9m steel platform
4 driving wheels
4 steering wheels
45% theoretical gradeability
360° continuous turntable rotation
160° platform rotation
Enable switch
Hourmeter recorder
Drive alarm
Tilt alarm
Overload alarm
Axle balance system
Lift and lower alarm
Turntable control box
Flashing beacon
Solid rubber tires
Hydraulic oil cooler
Steering lever control
Lockable canopy
Platform automatic leveling system
Fully proportional multi-function controls

POWER

Engine protection devices
Kubota Euro stage V emission
12V DC emergency power

OPTIONS

Tool tray
Platform working light
Foam-filled rough terrain tires
AC power to the platform
Platform anti-collision device



Item	Unit	XGS40E
Working height	m	40.2
Platform height	m	38.2
Working radius	m	24.9
Lift capacity	kg	300/460
Occupant capacity	-	3
Boom luffing range	°	-6.5~+75
Fly jib luffing range	°	-60~+70
Turntable rotation	°	360
Platform rotation	°	160
Drive speed (retracted/extended)	km/h	5/0.5
Turning radius axle retracted (inside/outside)	m	3.3/6.8
Turning radius axle extended (inside/outside)	m	2.4/5.8
Tailswing	mm	2355/1700
Ground clearance	mm	360
Gradeability	%	40
Tires	-	445/50D710
Power source	-	Kubota V3307
Rated power	kW/(r/min)	54.6/(2200)
Fuel tank	L	180
Hydraulic tank	L	260
Weight	kg	21460
Platform size	mm	2400×900
Transportation dimension	mm	12500×2490×3000
a Length	mm	14060
b Width	mm	2490
c Height	mm	3000
d Wheelbase (axle retracted/axle extended)	mm	2490/3800